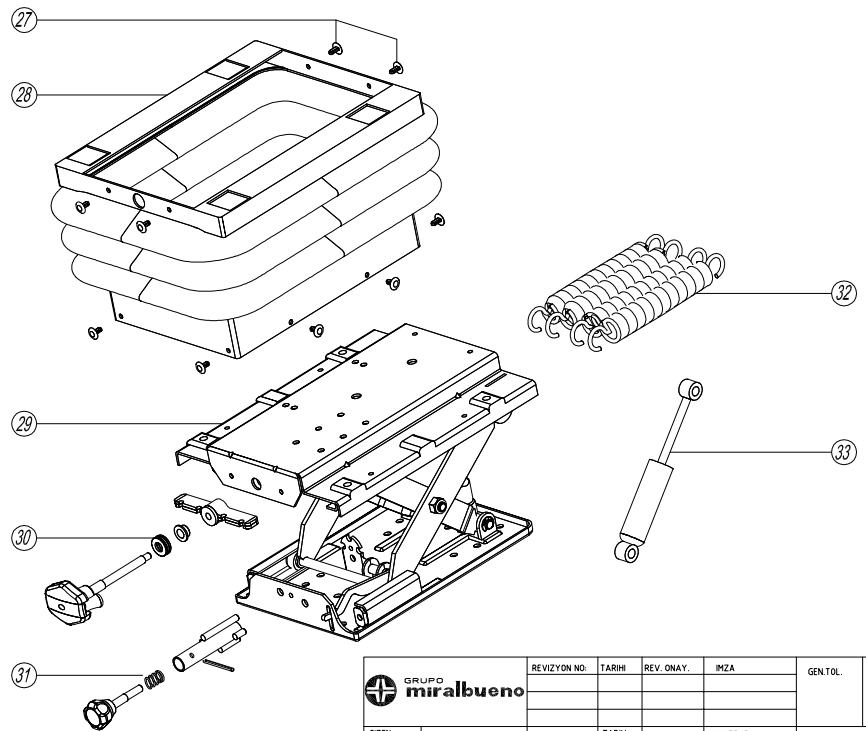


33	049200045	RM 200 Shock absorber
32	YM2-20010	RM 200 Spring
31	YM2-38000	Height adj. group
30	TM2-40182	Weight adj. group
29	YM2-38000	RM 200 Structure
28	038200020	RM 200 rubber
27	YM2-35100	Rubber connecting plst.
26	032100220	1/4" Washer
25	030110120	M6*16 Allen bolt Q8,8
24	FS6-10162	RM62-63 Base cushion
23	FS6-10262	RM62-63 Backrest cushion
22	030110130	M8*12 Allen bolt
21	032100330	5/16" Spring washer
20	YF1-20030	S. track spring
19	YF2-40120	RM62-63 Backrest's spiral set up spring
18	030110140	M8*20 Allen bolt
17	031000030	M8 Security nut
16	032100230	5/16" Washer
15	YF1-30700	RM62-63 Inclination adj. knob
14	030101160	7/16**1.12" UNF Hex. screw
13	0321000235	7/16" Washer
12	YS1-53900	7/16" Spacer
11	YF2-30710	RM 62-63 Side cover plastic
10	099300350	Autorolling seat belt
9	a- / b- / c-	M8*16 Allen bolt- 5/16" Spring washer- 109 Spacer
8	YF2-30110	M8 Bolt head covering plastic
7	030080030	M10*30 Setscur screw
6	032110230	5/16" Washer
5	032110330	5/16" Spring washer
4	030100031	M8*20 AKB Hex. bolt Q8,8
3	TS4-10162	Completely RM62 Lux Headrest
2	YF1-30050	Backrest plastic plug
1	099300420	Integrated big armrest
No	Part code	Part name



GRUPU miralbueno		REVIZYON NO:	TARİH:	REV. ONAY:	İMZA:	GENT.OL.	SAYFA
CİZEN		Ercument Basaran	TARİH	10/08/2018	MALZEME	REF. NO	
KONTROL		Ercument Basaran	TARİH	10/08/2018	Material	PARÇA NO	
ONAY		Ercument Basaran	TARİH	10/08/2018		RM 61 200 HR ARM ASB	
OĞLEK		PARÇA ADI	Scale		Part Name	RESİM NO	
		Heavy Construction Machinery Seat				Drawing No	